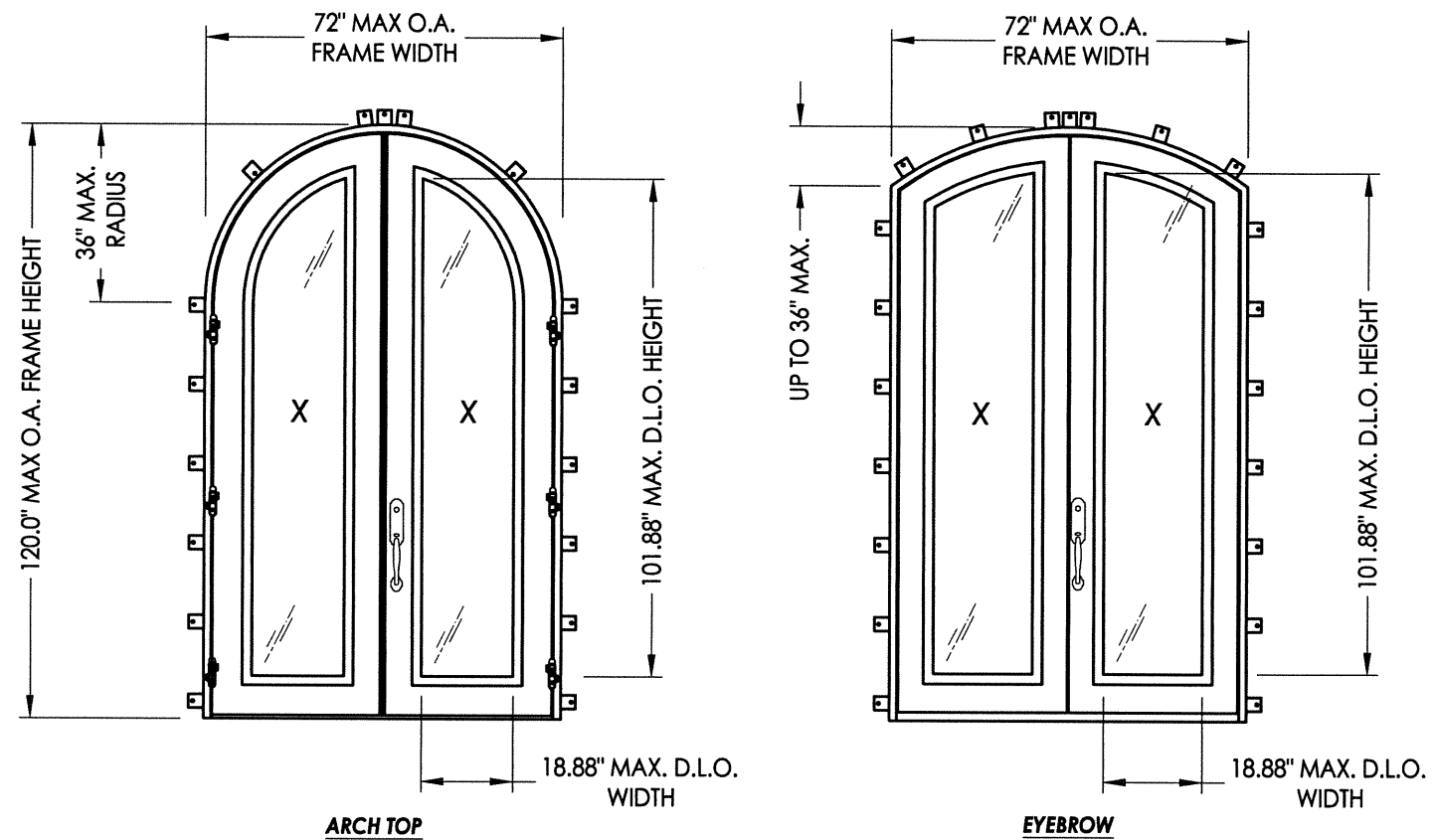


Clark Hall Iron Doors

GLAZED IRON DOUBLE DOOR (Arch Top & Eyebrow)

**IN SWING/OUT SWING
"NON-IMPACT"**



GENERAL NOTES

1. This product has been evaluated and is in compliance with the 2010 Florida Building Code (FBC) structural requirements excluding the "High Velocity Hurricane Zone" (HVHZ).
2. Product anchors shall be as listed and spaced as shown on details. Anchor embedment to base material shall be beyond wall dressing or stucco.
3. When used in areas requiring wind borne debris protection this product is required to be protected with an impact resistant covering that complies with Section 1609.1.2 of the FBC.
4. For 2x stud framing construction, anchoring of these units shall be the same as that shown for 2x buck masonry construction.
5. Site conditions that deviate from the details of this drawing require further engineering analysis by a licensed engineer or registered architect.

TABLE OF CONTENTS	
SHEET#	DESCRIPTION
1	Typical elevations, design pressures, & general notes
2	Door panel details & glazing details
3	Horizontal cross sections
4	Vertical cross sections
5	Buck & Frame anchoring
6	Components
7	Bill of materials & components

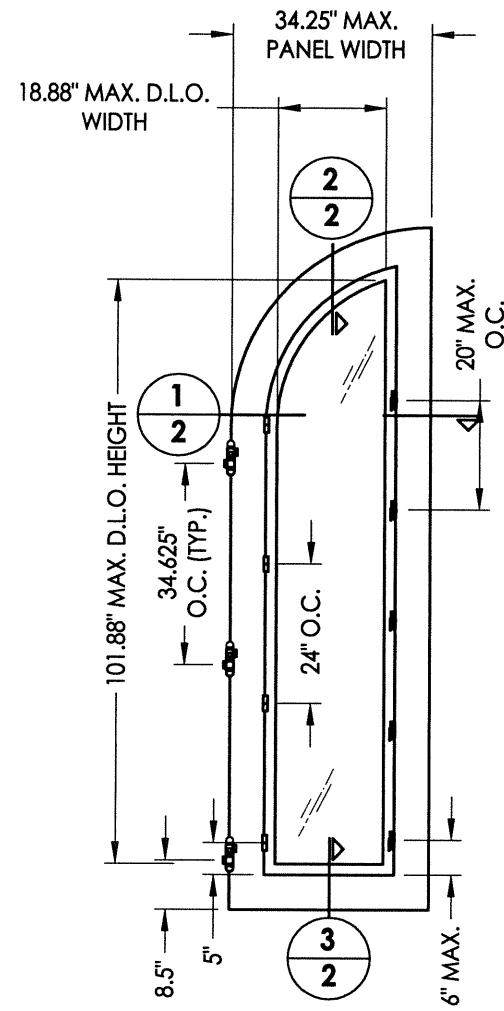
CONFIGURATION	OVERALL FRAME DIMENSION	DESIGN PRESSURE (PSF)			
		IN SWING		OUT SWING	
		POS.	NEG.	POS.	NEG.
XX	72.0" x 120.0"	+65.0	-65.0	+65.0	-65.0

Documents Prepared By:
RW BUILDING CONSULTANTS, INC.
 P.O. Box 230 Valrico FL 33595
 Phone No.: 813.659.9197
 Florida Board of Professional Engineers
 Certificate Of Authorization No. 9813
 12.19.13
 Lyndon F. Schmidt, P.E. No. 43409

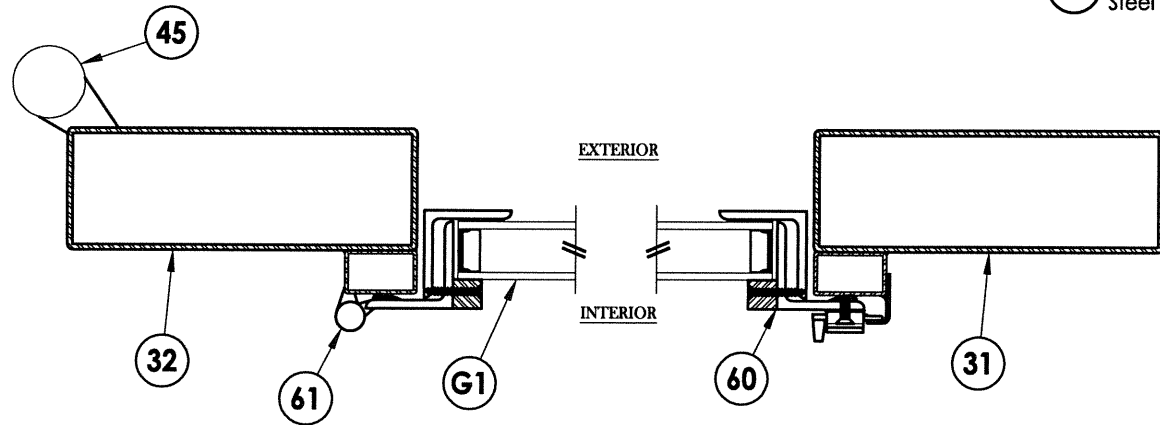
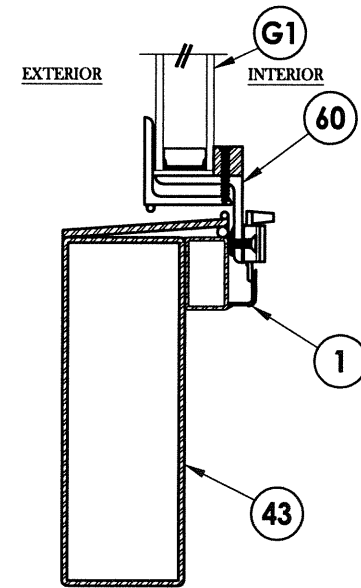
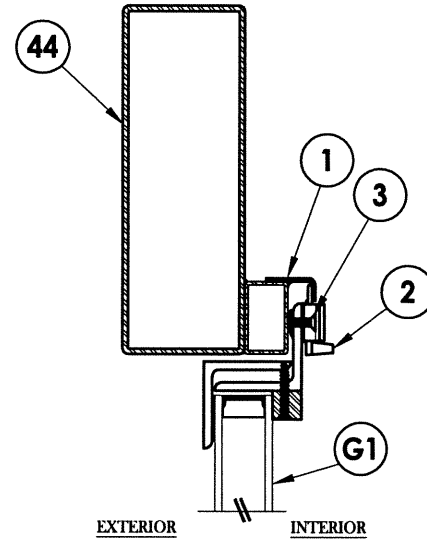
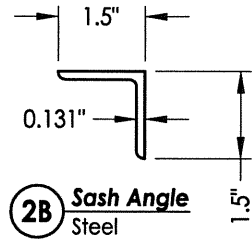
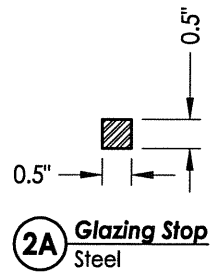
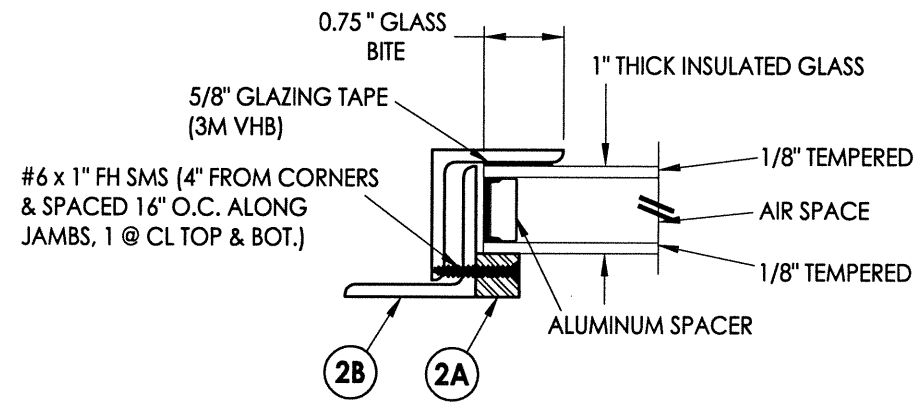
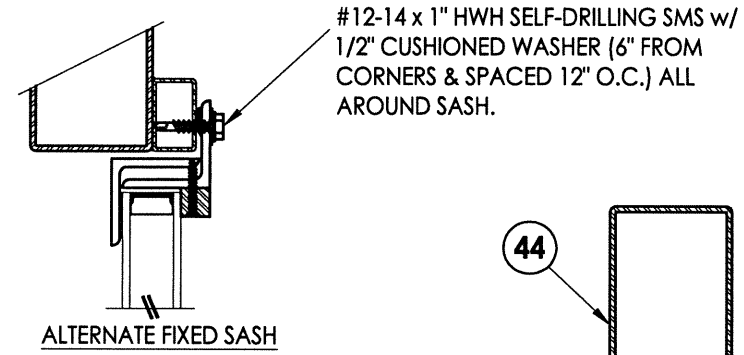
PRODUCT: CLARK HALL IRON DOORS
 PART OR ASSEMBLY: TYPICAL ELEVATIONS, DESIGN PRESSURES & GENERAL NOTES

NO.	DATE	BY	REVISIONS

DATE: 10/30/13
 SCALE: N.T.S.
 DWG. BY: JK
 CHK. BY: LFS
 DRAWING NO.: FL-16663.4
 SHEET 1 OF 7



30 DOOR PANEL
w/ Operable Sash



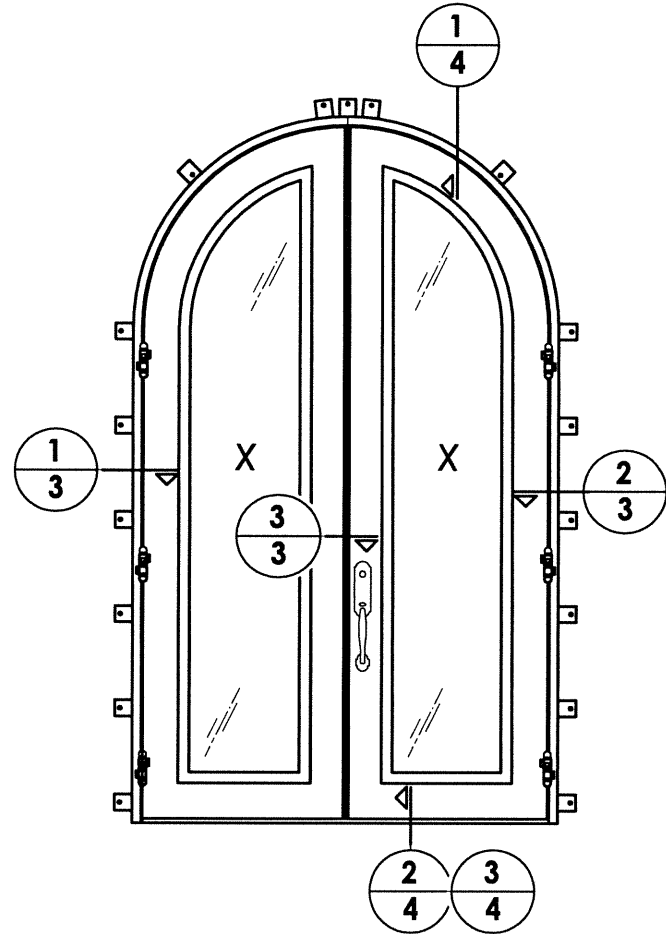
Documents Prepared By:
RW BUILDING CONSULTANTS, INC.
P.O. Box 230 Valrico FL 33595
Phone No.: 813.659.9197
Florida Board of Professional Engineers
Certificate Of Authorization No. 9813
LFR 12.19.13
Lyndon F. Schmidt, P.E. No. 43409

PRODUCT: CLARK HALL IRON DOORS
PART OR ASSEMBLY: DOOR PANEL DETAILS & GLAZING DETAILS

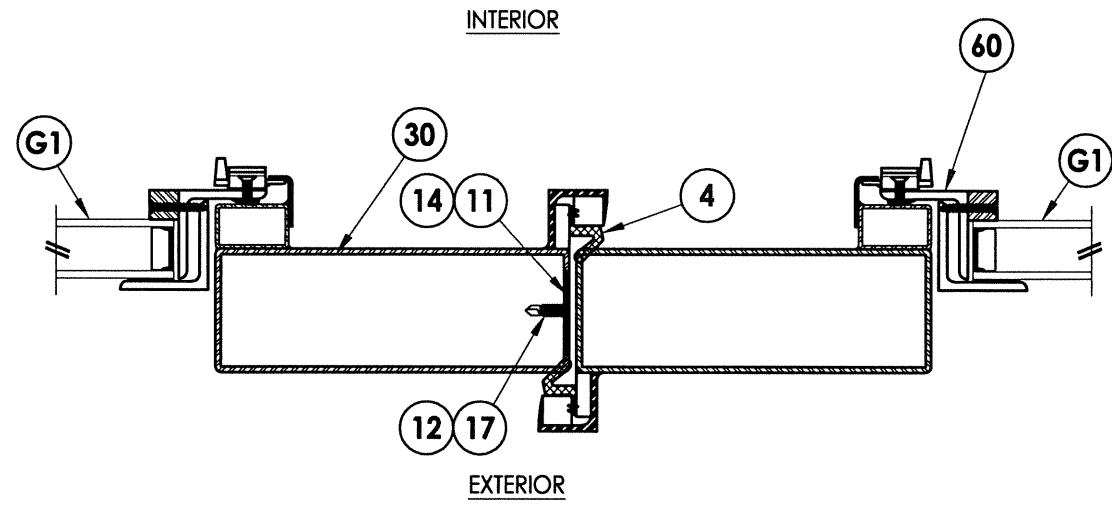
NO.	DATE	BY

DATE: 11/8/13
SCALE: N.T.S.
DWG. BY: JK
CHK. BY: LFS
DRAWING NO.: FL-16663.4
SHEET 2 OF 7

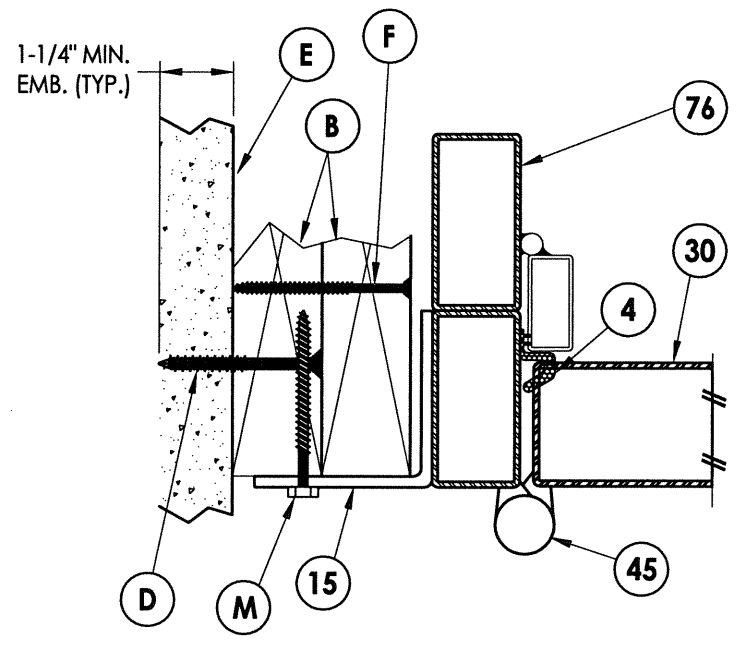
R:\A - Projects\Project Folders\Proj 1701 - 1800\PF 1733D - RWBC Drawings\FL-16663.4-6.dwg, 3.4



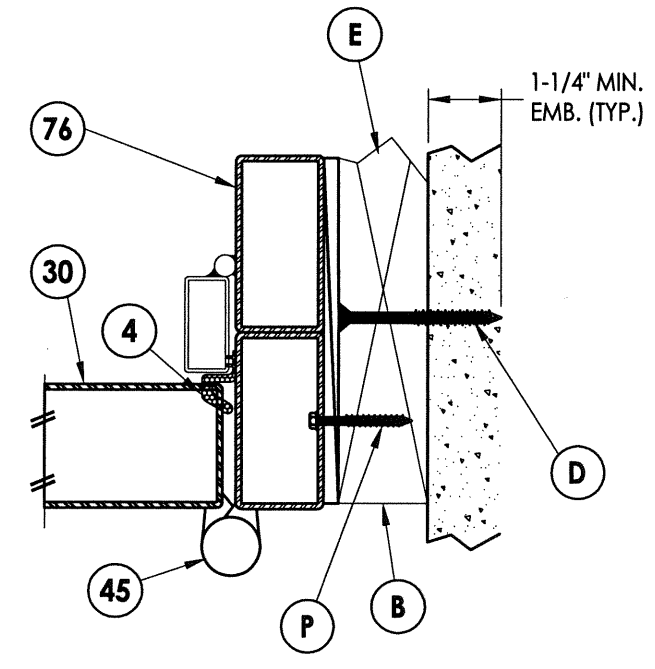
ARCH TOP
(Eyebrow similar)



3 HORIZONTAL CROSS SECTION
3 Outswing Shown (Inswing Similar)



1 HORIZONTAL CROSS SECTION
3 Outswing Shown (Inswing Similar)



2 HORIZONTAL CROSS SECTION
3 Shown w/ Optional Through the Frame Anchoring

LOCK HARDWARE TABLE

MANUFACTURER	MODEL
EMTEK	TUBULAR ENTRY SET (SHERIDAN - 451812)
SUN VALLEY BRONZE ACCURATE LOCK & HARDWARE	LEVER/KNOB ENTRY SET (RIDGE: CS-421PLD) MORTISE LOCK
ASHLEY NORTON	TUBULAR ENTRY SET (SQTUB w/ 900 SERIES KNOB)
ASHLEY NORTON ACCURATE LOCK & HARDWARE	MORTISE LOCK (SQMOR w/ 900 SERIES KNOB) MORTISE LOCK

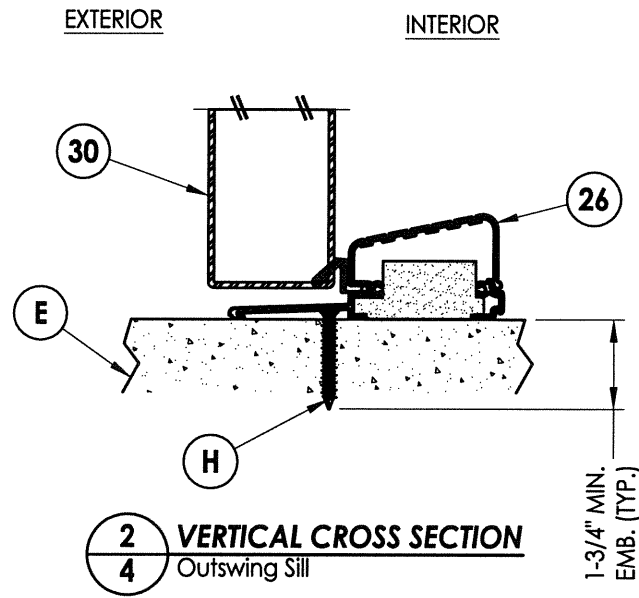
Documents Prepared By:
RW BUILDING CONSULTANTS, INC.
 P.O. Box 230 Vairico FL 33595
 Phone No.: 813.659.9197
 Florida Board of Professional Engineers
 Certificate Of Authorization No. 9813
LFS-12.19.13
 Lyndon F. Schmidt, P.E. No. 43409

PRODUCT: CLARK HALL IRON DOORS
 PART OR ASSEMBLY: HORIZONTAL CROSS SECTIONS

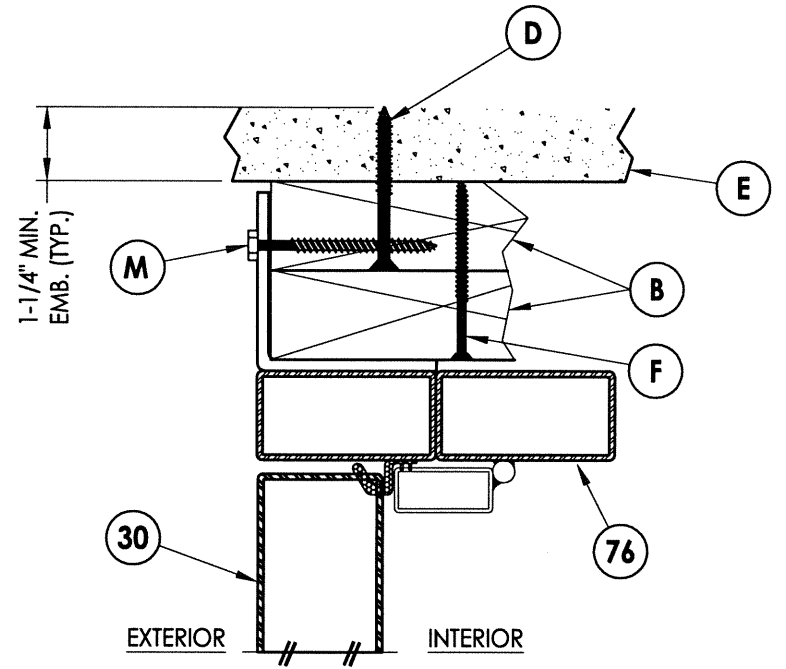
NO.	DATE	BY	REVISIONS

DATE: 10/30/13
 SCALE: N.T.S.
 DWG. BY: JK
 CHK. BY: LFS
 DRAWING NO.: FL-16663.4
 SHEET 3 OF 7

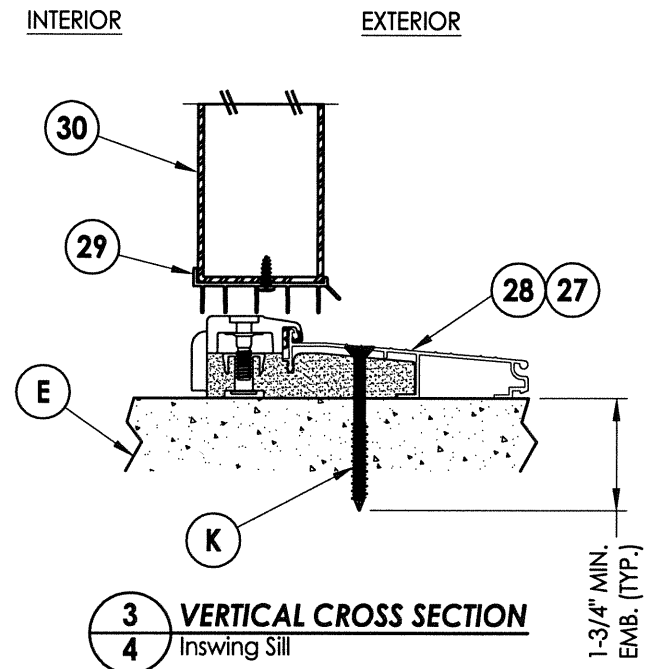
© 2013 R.W. BUILDING CONSULTANTS INC.



2 VERTICAL CROSS SECTION
4 Outswing Sill



1 VERTICAL CROSS SECTION
4 Outswing Shown (Inswing Similar)



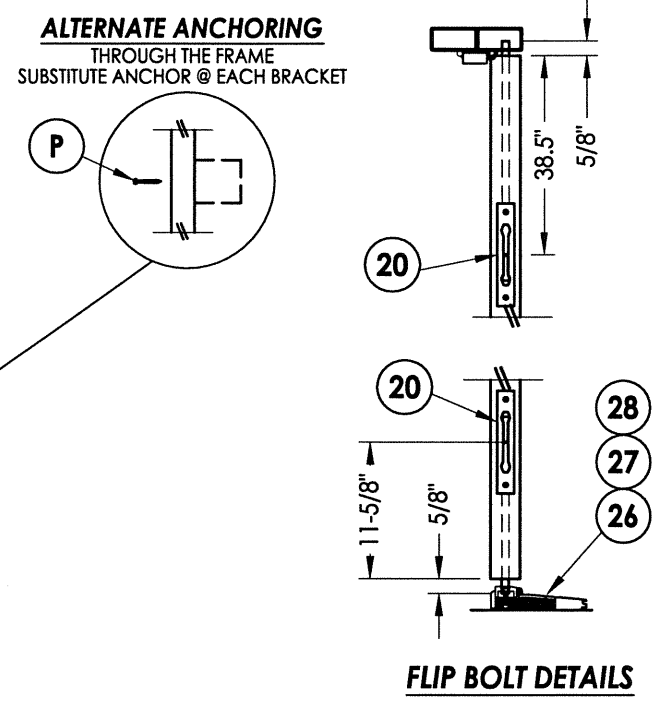
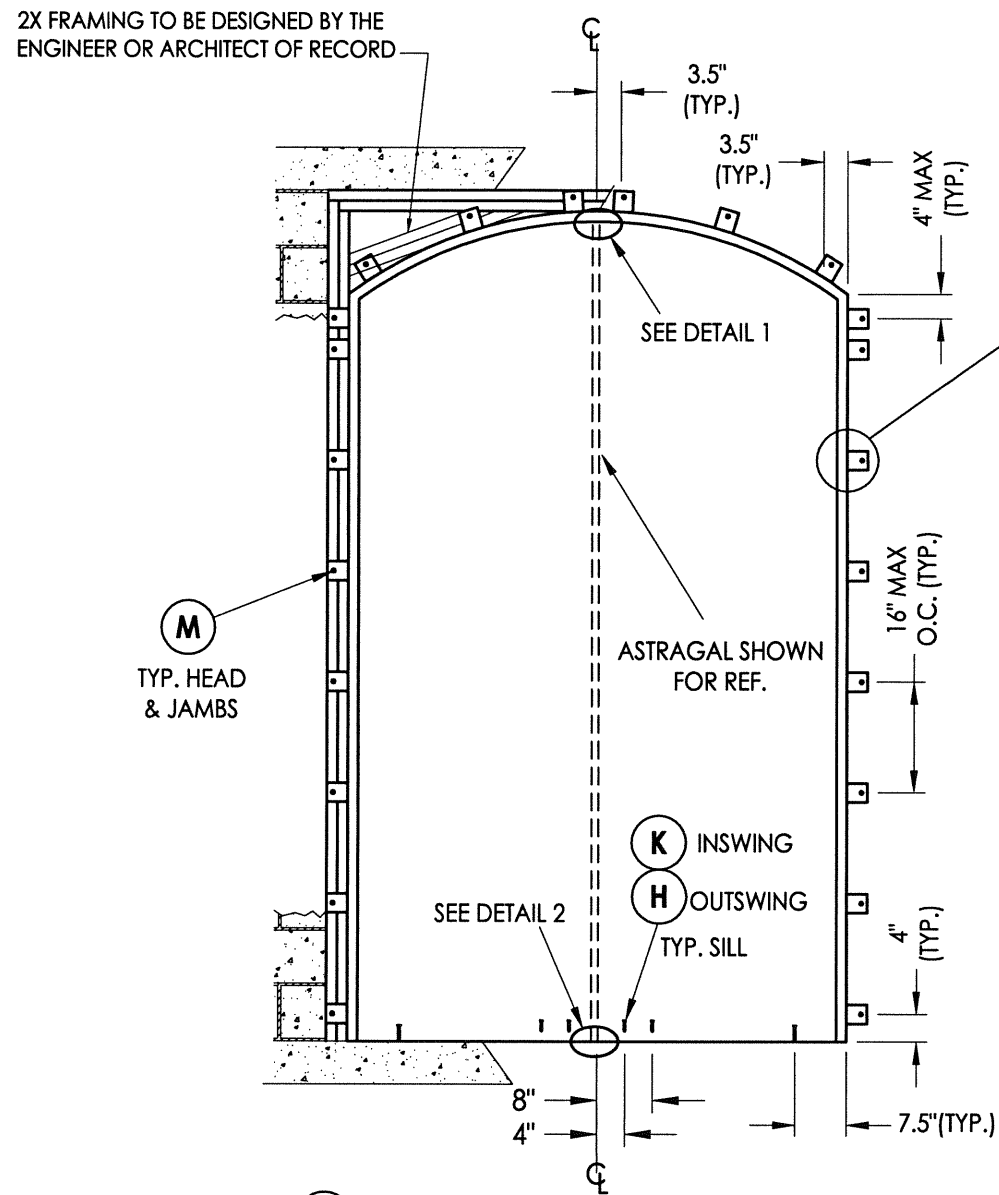
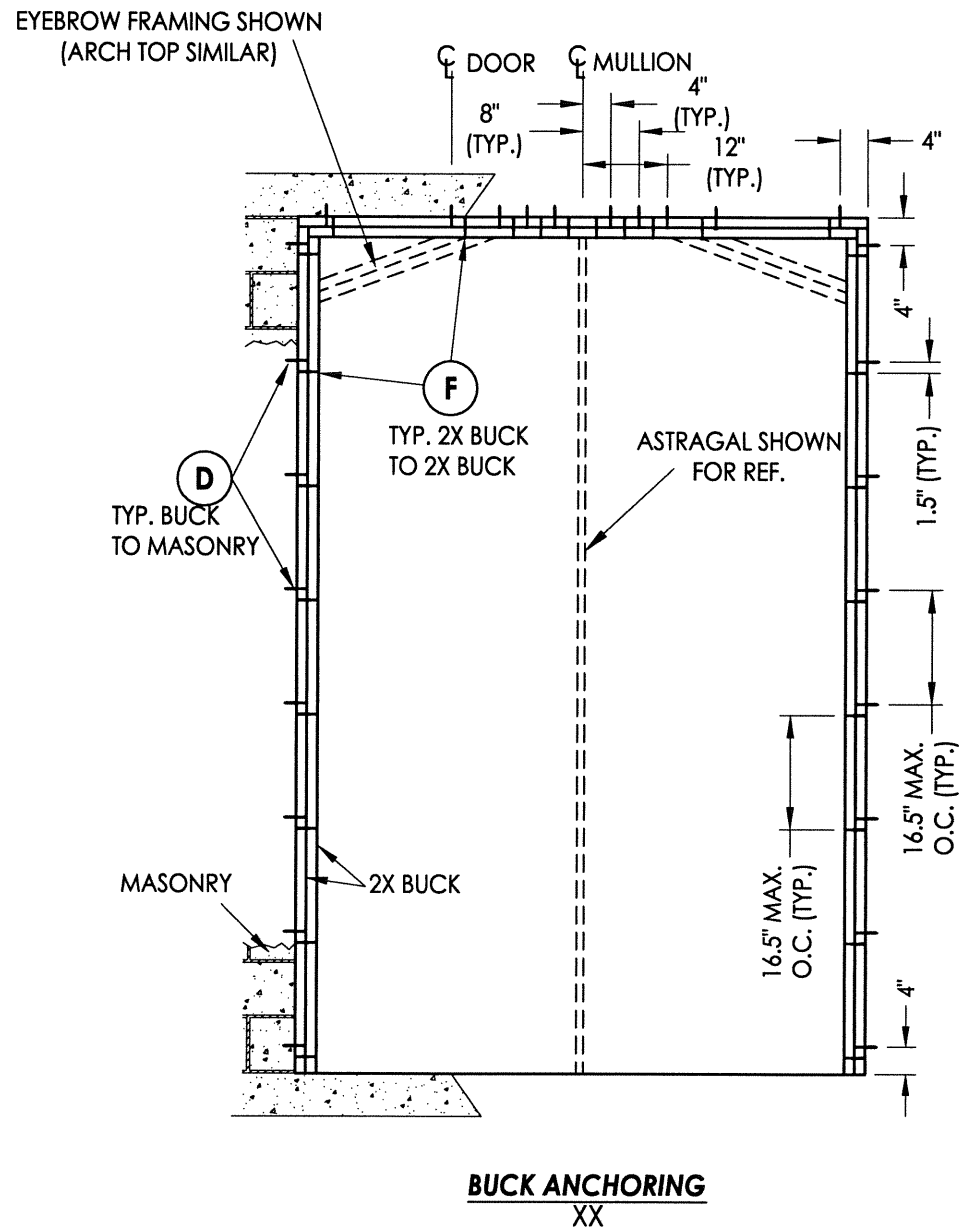
3 VERTICAL CROSS SECTION
4 Inswing Sill

DATE: 10/30/13
SCALE: N.T.S.
DWG. BY: JK
CHK. BY: LFS
DRAWING NO.:
FL-16663.4
SHEET 4 OF 7

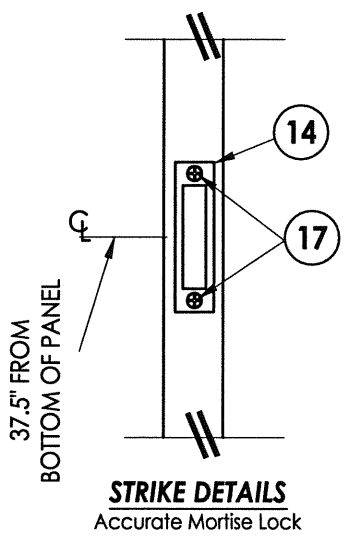
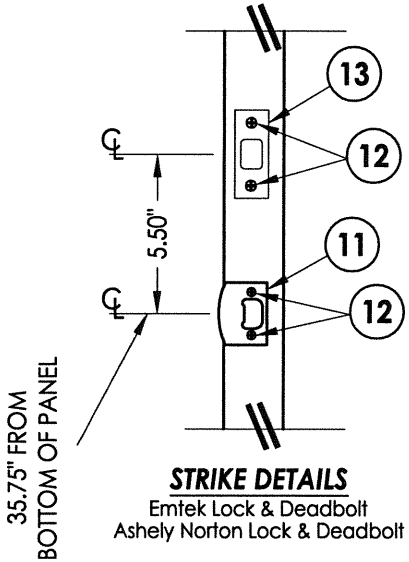
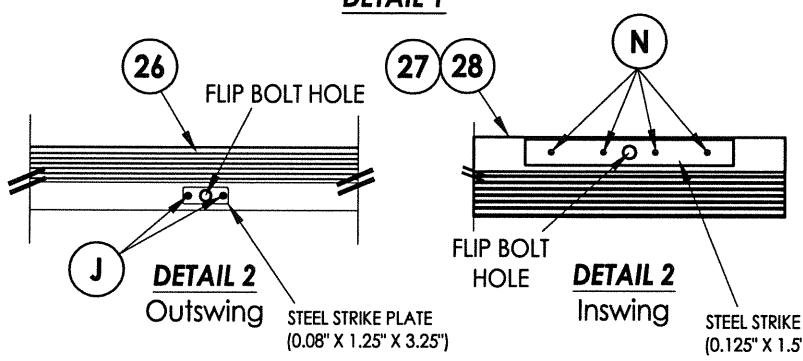
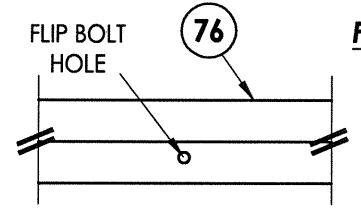
NO.	DATE	BY

PRODUCT: CLARK HALL IRON DOORS
PART OR ASSEMBLY: VERTICAL CROSS SECTIONS

Documents Prepared By:
RW BUILDING CONSULTANTS, INC.
P.O. Box 230 Valrico FL, 33595
Phone No.: 813.659.9197
Florida Board of Professional Engineers
Certificate of Authorization No. 9813
12.19.13
Lyndon F. Schmidt, P.E. No. 43409



NOTE FOR THROUGH THE FRAME ANCHORING ONLY ONE 2X BUCK IS REQUIRED, ANCHORED AS SHOWN.



- CONCRETE ANCHOR NOTES:**
- Concrete anchor locations at the corners may be adjusted to maintain the min. edge distance to mortar joints.
 - Concrete anchor locations noted as "MAX. ON CENTER" must be adjusted to maintain the min. edge distance to mortar joints, additional concrete anchors may be required to ensure the "MAX. ON CENTER" dimension are not exceeded.
 - Concrete anchor table:

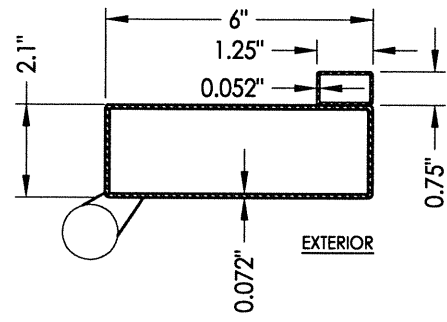
ANCHOR TYPE	ANCHOR SIZE	MIN. EMBEDMENT	MIN. CLEARANCE TO MASONRY EDGE	MIN. CLEARANCE TO ADJACENT ANCHOR
ITW TAPCON®	3/16"	1-1/4"	3"	2-1/2"
	1/4"	1-1/4"	2-1/2"	4"
	5/16" (XL)	1-3/4"	2-1/2"	5"
ELCO ULTRACON®	1/4"	1-1/4"	2-1/2"	4"
	5/16"	1-3/4"	2-1/2"	5"

Documents Prepared By:
RW BUILDING CONSULTANTS, INC.
 P.O. Box 230 Valrico FL 33595
 Phone No.: 813.659.9197
 Florida Board of Professional Engineers
 Certificate Of Authorization No. 9813
 6782-12-19-13
 Lyndon F. Schmidt, P.E. No. 43409

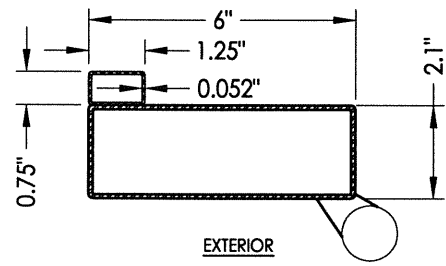
PRODUCT: CLARK HALL IRON DOORS
 PART OR ASSEMBLY: BUCK & FRAME ANCHORING

NO.	DATE	BY	REVISIONS

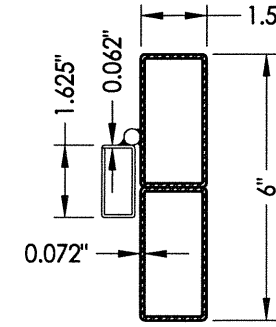
DATE: 10/30/13
 SCALE: N.T.S.
 DWG. BY: JK
 CHK. BY: LFS
 DRAWING NO.: FL-16663.4
 SHEET 5 OF 7



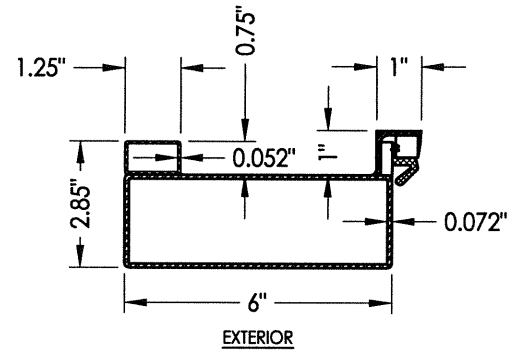
41 Full Lite Door Panel
Inactive Hinge Stile



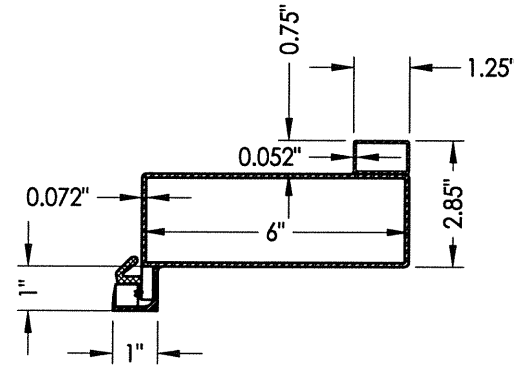
31 Full Lite Door Panel
Active Hinge Stile



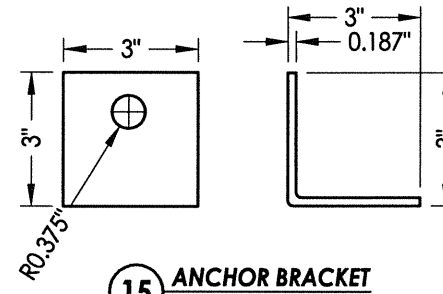
76 Jamb



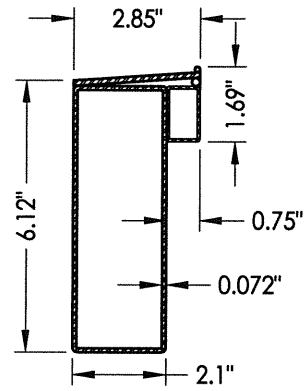
42 Full Lite Door Panel
Inactive Latch Stile



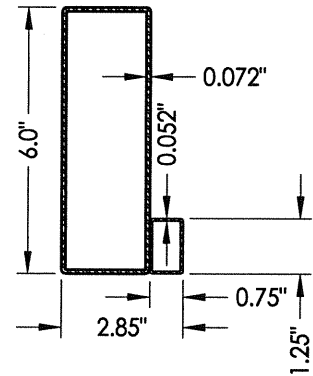
32 Full Lite Door Panel
Active Latch Stile



15 ANCHOR BRACKET



43 Full Lite Door Panel
Bottom Rail



44 Full Lite Door Panel
Top Rail

Documents Prepared By:

RW BUILDING CONSULTANTS, INC.
P.O. Box 230 Valrico FL 33595
Phone No.: 813.659.9197
Florida Board of Professional Engineers
Certificate Of Authorization No. 9813
LFS 12.19.13
Lyndon F. Schmidt, P.E. No. 43409

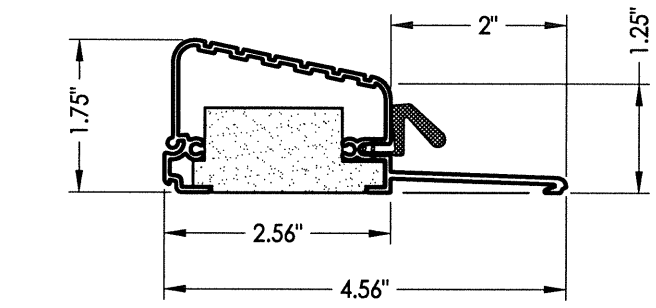
PRODUCT: CLARK HALL IRON DOORS

PART OR ASSEMBLY: COMPONENTS

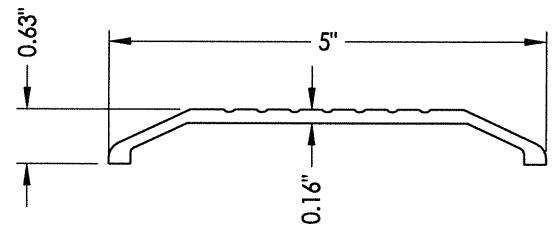
NO.	DATE	BY	REVISIONS

DATE: 10/30/13
SCALE: N.T.S.
DWG. BY: JK
CHK. BY: LFS
DRAWING NO.: FL-16663.4
SHEET 6 OF 7

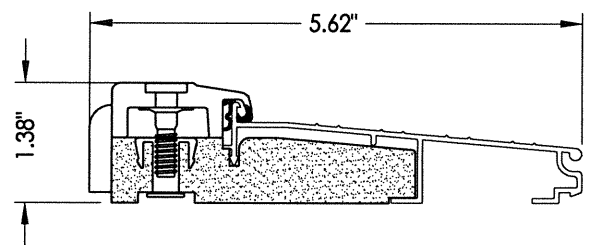
BILL OF MATERIALS		
ITEM #	DESCRIPTION	MATERIAL
B	2X BUCK SG >= 0.55	WOOD
D	1/4" X 2-3/4" PFH ELCO OR ITW CONCRETE SCREW	STEEL
E	MASONRY - 3,000 PSI MIN. CONCRETE CONFORMING TO ACI301 OR HOLLOW BLOCK CONFORMING TO ASTM C90	CONCRETE
F	#10 X 3" PFH WOOD SCREW	STEEL
G	5/16" X 2-1/4" HH ELCO OR ITW CONCRETE SCREW	STEEL
H	5/16" X 2-1/4" PFH ELCO OR ITW CONCRETE SCREW	STEEL
J	3/16" X 2-1/4" PFH ITW CONCRETE SCREW	STEEL
K	5/16" X 2-3/4" PFH ELCO OR ITW CONCRETE SCREW	STEEL
L	5/16-18 X 1-1/2" HH BOLT (GR. 5) w/ LOCK WASHER & NUT	STEEL
M	3/8" X 3" HH LAG SCREW	STEEL
N	3/16" X 2-3/4" PFH ITW CONCRETE SCREW	STEEL
P	#12 X 1-1/2" HWH SMS	STEEL
1	SASH LATCH STRIKE	STEEL
2	SASH LATCH	STEEL
3	#8 X 1/4" PFH SMS	STEEL
4	WEATHERSTRIP (QLON)	FOAM
11	LATCH STRIKE PLATE	STEEL
12	#8 X 3/4" PFH SMS	STEEL
13	DEADBOLT STRIKE PLATE	STEEL
14	MORTISE STRIKE PLATE	STEEL
15	ANCHORING BRACKET	STEEL
17	#12-24 X 13/16" PFH COMBINATION WOOD/MACHINE SCREW	STEEL
20	FLIP BOLT	STEEL
26	OUTSWING THRESHOLD (DLP)	ALUM/COMP
27	ADA THRESHOLD	ALUM
28	INSWING THRESHOLD (AFCO)	ALUM/COMP
29	DOOR SWEEP (w/ #8 x 3/4" SMS)	-
30	DOOR PANEL (FULL LITE)	-
31	HINGE STILE (ACTIVE DOOR)	ASTM A36 STEEL
32	LATCH STILE (ACTIVE DOOR)	ASTM A36 STEEL
41	HINGE STILE (INACTIVE DOOR)	ASTM A36 STEEL
42	LATCH STILE (INACTIVE DOOR)	ASTM A36 STEEL
43	BOTTOM RAIL (FULL LITE)	ASTM A36 STEEL
44	TOP RAIL (FULL LITE)	ASTM A36 STEEL
45	DOOR PANEL HINGE	STEEL
60	SASH LITE FRAME	STEEL
61	SASH HINGE	STEEL
76	JAMB	ASTM A36 STEEL



26 OUTSWING THRESHOLD
DLP



27 ADA THRESHOLD



28 INSWING THRESHOLD

Documents Prepared By:
RW BUILDING CONSULTANTS, INC.
 P.O. Box 230 Valrico FL 33595
 Phone No.: 813.659.9197
 Florida Board of Professional Engineers
 Certificate Of Authorization No. 9813
 12.19.13
 Lyndon F. Schmidt, P.E. No. 43409

PRODUCT: CLARK HALL IRON DOORS
 PART OR ASSEMBLY: BILL OF MATERIALS & COMPONENTS

NO.	DATE	BY	REVISIONS

DATE: 10/30/13
 SCALE: N.T.S.
 DWG. BY: JK
 CHK. BY: LFS
 DRAWING NO.: FL-16663.4
 SHEET 7 OF 7

© 2013 R.W. BUILDING CONSULTANTS INC.